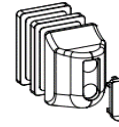
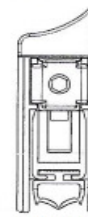


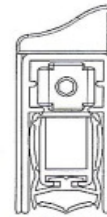
# DSA ACTUATOR BLOCK



ACTUATOR  
BLOCK



DBS1230



DRS1530

## Description

This Actuator Block is used when fitting a face mounted automatic bottom seal to the pull side of a door.

The block is fitted to project from the door frame on the lock side (not the hinge side) and when the door is closed the seal actuator compresses against the block, to drop the seal down to the floor surface.

Suits DBS1230, DRS1530 and other similar DSA automatic door bottom seals.

## Fitting Location

Fitted to the face of the lock side of door frame.

## Material and Finish

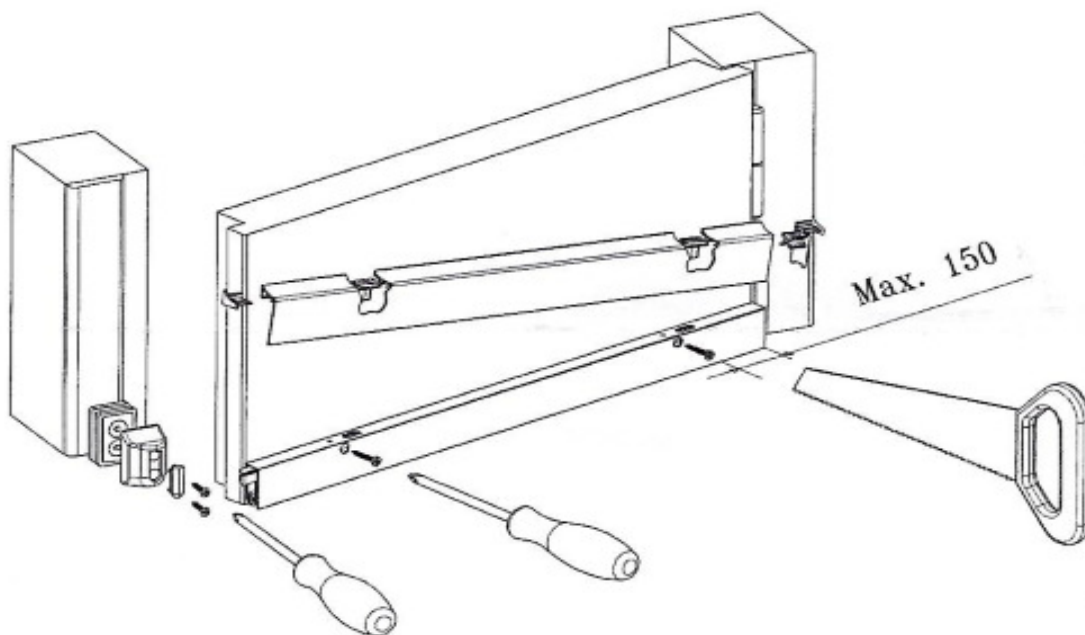
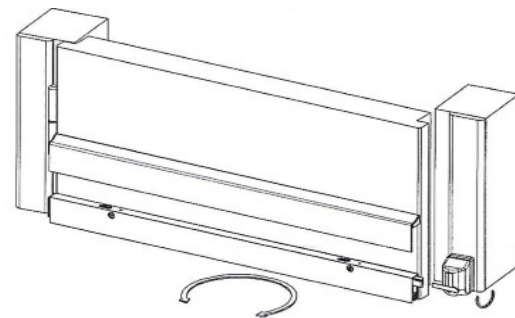
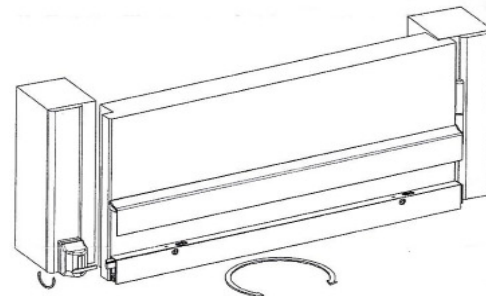
Black plastic.

## Fixing

Installed using the supplied screw pack with screw head concealment plate.

Is adjustable in projection length.

25mm W x 40mm H x 20/26/32mm P



## Lengths Available

One size

## DSA Product Code

DSA Actuator Block

## Fitting Option

Face mounted

