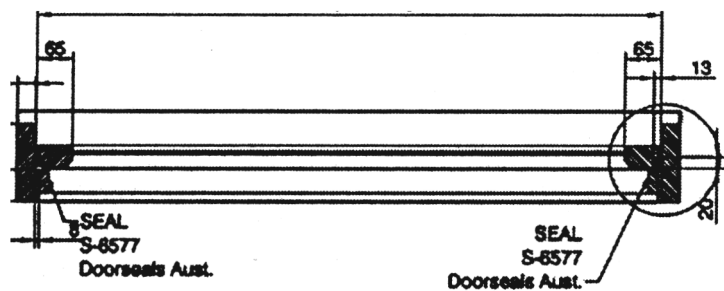
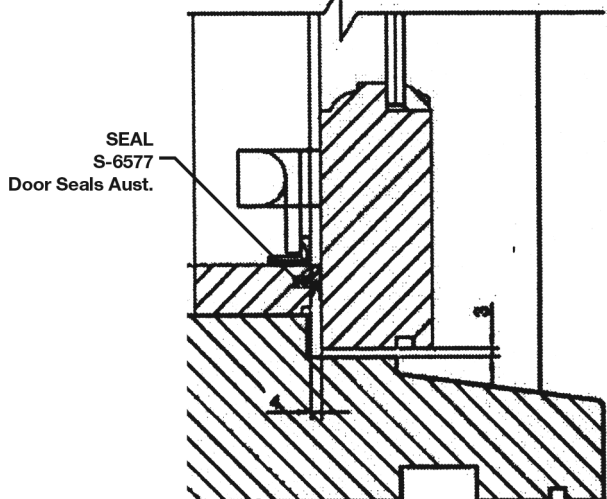
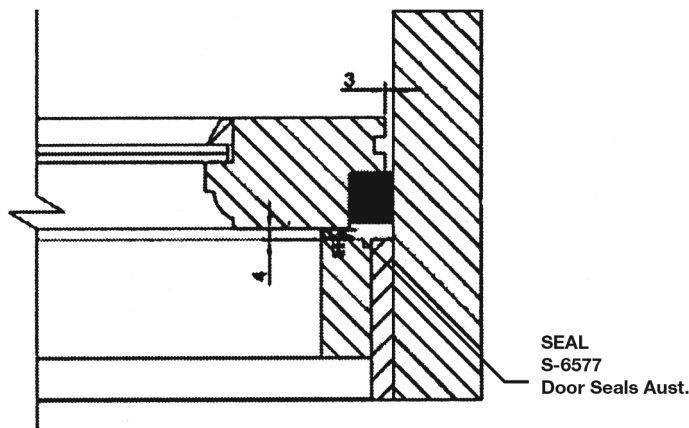
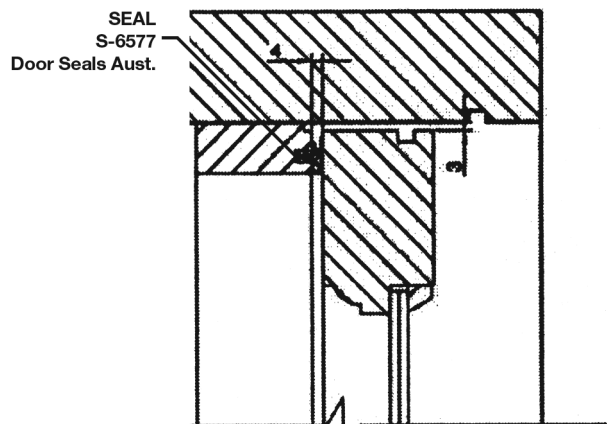


**SECTION Y-Y**



**SECTION X-X**