

# No Air Wood



## Description

This product is fitted on both sides of a door frame opposite to the ends of a fully mortised automatic door bottom seal. When the door bottom seal is engaged, the No Air Wood ensures that the gaps between the door frame and seal are airtight.

## Features

It is designed for easy installation and ensures excellent performance in air and noise insulation, reducing noise by a further 3dB.

## Fitting Location

The pair of No Air Wood plates are fitted on both sides of a door frame opposite to either end of a fully mortised automatic door bottom seal.

## Gap Size

Maximum 5mm gap coverage.

## Material and Finish

Black plate and black TPE-V fins.

## Fixing

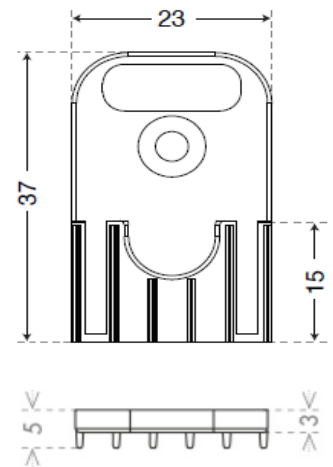
Installed using the supplied DSA screw pack.

## Approvals

Fire: AS1530.4

Smoke: AS1530.7/BCA C3.4

Acoustic: AS1191/ISO140.3/ISO10140.2



## Available As

Single door set pack

## DSA Product Code

No Air Wood

