

# DS49 Series

## Sweep Action Seals



### Description

A sweep action brush seal designed to be used around the perimeter and bottom of doors.

### Features

The 'F' profile aluminium carrier has a projection of 7mm and a width of 18mm. The carrier lengths are available in three length options of 1M, 2M, or 3M.

The heavy duty black bristle seal is available with six options for a projection size from 13-50mm.

Suitable for protection against smoke, draughts, light, airborne dust, vermin, bushfire embers and energy retention.

### Fitting Location

These are particularly effective in sealing gaps around sliding doors but will suit many applications.

### Material and Finish

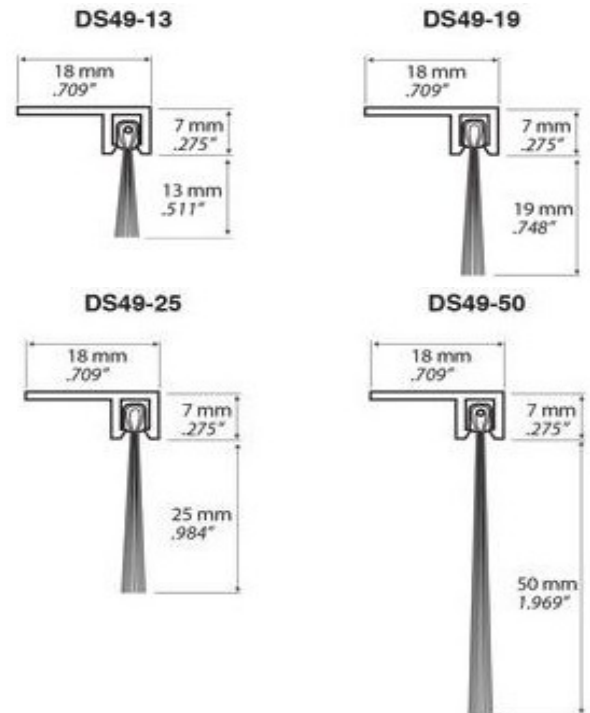
Heavy duty black nylon bristle seal with clear anodised aluminium carrier.

### Fixing

Supplied with fixing screws.

### Approvals

An optional flame retardant bristle seal is available which is resistant against bushfire ember attack.



### Available As

13mm brush	carrier length options	1M, 2M, 3M
19mm brush	carrier length options	1M, 2M, 3M
25mm brush	carrier length options	1M, 2M, 3M
30mm brush	carrier length options	1M, 2M, 3M
40mm brush	carrier length options	1M, 2M, 3M
50mm brush	carrier length options	1M, 2M, 3M

### DSA Product Code

DS49-13	(x carrier length)
DS49-19	(x carrier length)
DS49-25	(x carrier length)
DS49-30	(x carrier length)
DS49-40	(x carrier length)
DS49-50	(x carrier length)

### These Products Can Work With The DS49 Series Sweep Action Seals

DS10-13 to DS10-50 Series Sweep Action Seals

DS13-DS50 Series Sweep Action Seals

