

DRS1530

Automatic Door Bottom Seal



Description

This is a very high performance and compact automatic door bottom seal tested to provide 48dB acoustic attenuation. Available with fitting options of face mounted, semi-recessed, or fully recessed.

Features

The overall profile has a height of 30mm and width of 15mm for the FR fully and SR semi-recessed versions. FM face mounted version has an extra curved snap on cover which totally conceals all fixings. No end plates are required to fit the FR version. DSA fitting system ensures a perfect installation as the seal is positioned and adjusted for optimum performance. Overall length can be cut down by up to 150mm.

Fitting Location

This perimeter seal is fitted to the bottom of a door as face mounted, semi-recessed, or fully recessed fitting option.

Gap Size

16mm maximum.

Material and Finish

Black TPE-V gasket within a clear anodised aluminium carrier.

Fixing

Installed using the supplied DSA fitting system and screw pack.

Approvals

Fire: AS1530.4
Smoke: AS1530.7/BCA C3.4
Acoustic: AS1191/ISO140.3/ISO10140.2

Lengths Available

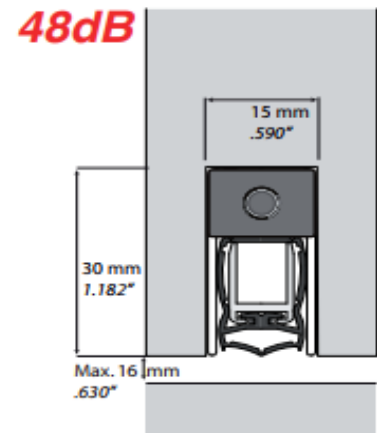
459mm
584mm
730mm
830mm
959mm
1084mm
1230mm
1500mm

DSA Product Code

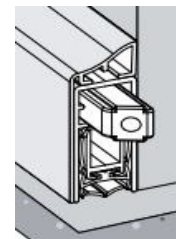
DRS1530-459- (+ Fitting Option Suffix)
DRS1530-584- (+ Fitting Option Suffix)
DRS1530-730- (+ Fitting Option Suffix)
DRS1530-830- (+ Fitting Option Suffix)
DRS1530-959- (+ Fitting Option Suffix)
DRS1530-1084-(+ Fitting Option Suffix)
DRS1530-1230-(+ Fitting Option Suffix)
DRS1530-1500-(+ Fitting Option Suffix)

Fitting Options Suffix

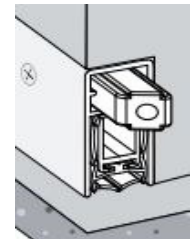
FM - Face Mounted
SR - Semi Recessed
FR - Fully Recessed



FR
Fully
Recessed



FM
Face
Mounted



SR
Semi
Recessed

