

## Australian Standard Compliance & Acoustic Data

### DSA Class 37 STC- Rw Acoustic Systems Component

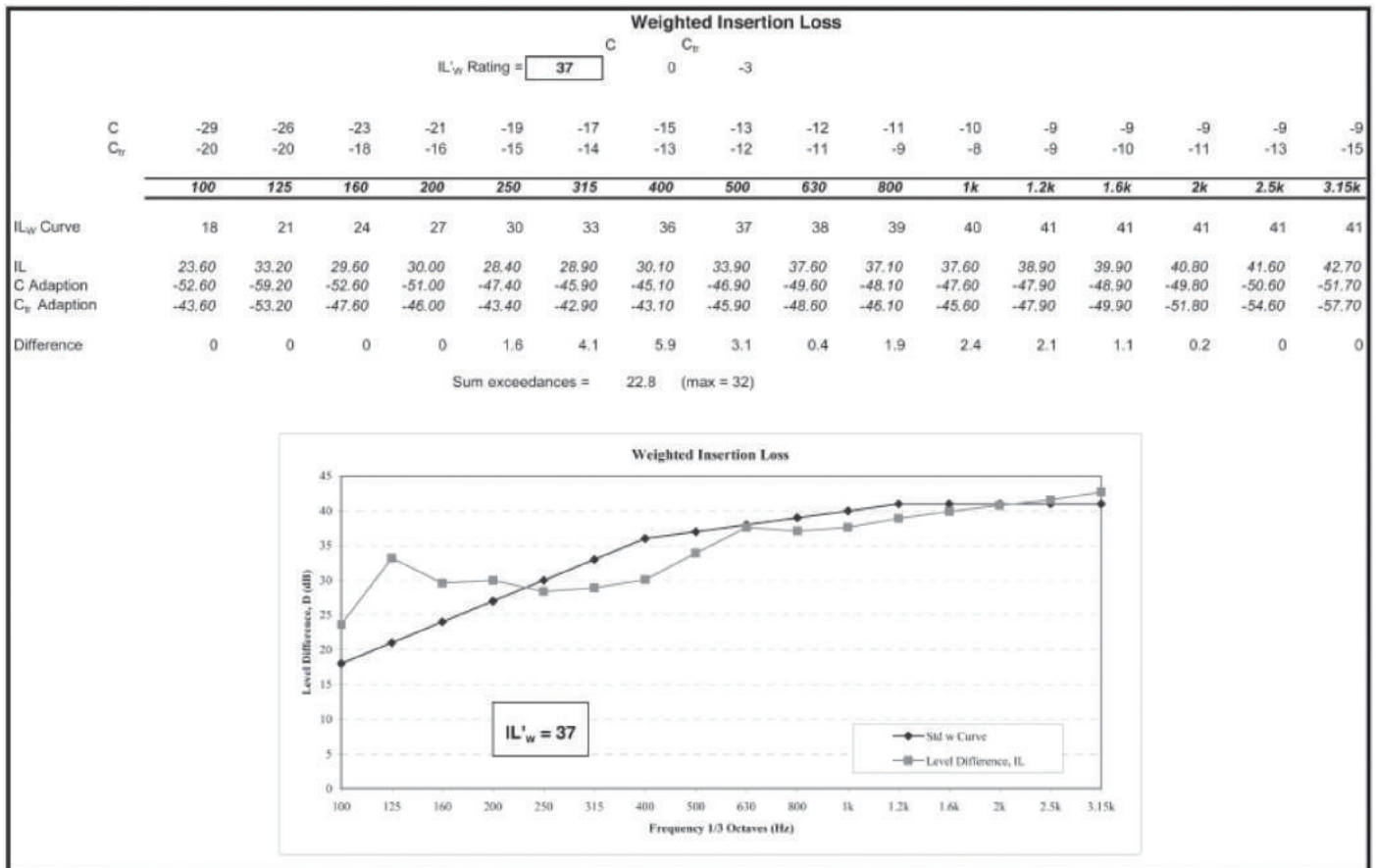
- **DS10-47** head and jamb seal
- **DRS1530** automatic door bottom seal

- Standard silver anodised aluminium finish
- Seal material, TPE thermoplastic, (black)

All the above seals systems have been tested in accordance with:

#BCA F & BCA 2.2.2, #BCA. J2.4, #AS. 4420. 4.&.5, #BCA. 2.6.1, #AS. 2047. AS. 12. 88, #AS. 1939, #IEC (529 ), #AS. 1530.7 and FSE 004, #BCA. F. 5, #BCA. P. 2. 4.6, #AS. 1191, #(ISO 140. 3), #AS. 1276, #AS. 2253 #ADM 0298. 01 #BCA. D. 3, 8. C. 2. 5, #BCA – C.3.4. C. 3.6. D.2 6, #BCA P.2.3.4, #BCA. A.2.3 A2.4.C. 3.5, #AS 1503. 4, #AS./NZ. 1905. I, #AS.1530.7, #AS 1735. 11, #BCA. G. 4. 5, #BCA. D.P.2, #BCA. D.3, #AS1428, #AS. 1735. 12.

Door Type	Acoustic Door - 45mm	
	STC	Rw
No Seals	20	21
Fully Caulked	39	39
<b>High Performance Acoustic Door System</b>	<b>37</b>	<b>37</b>

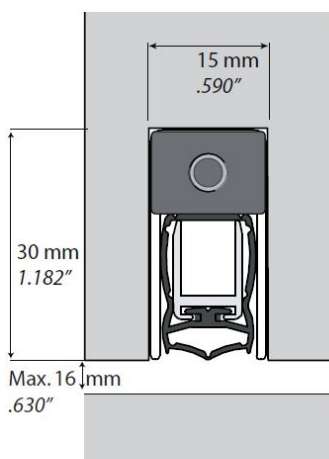
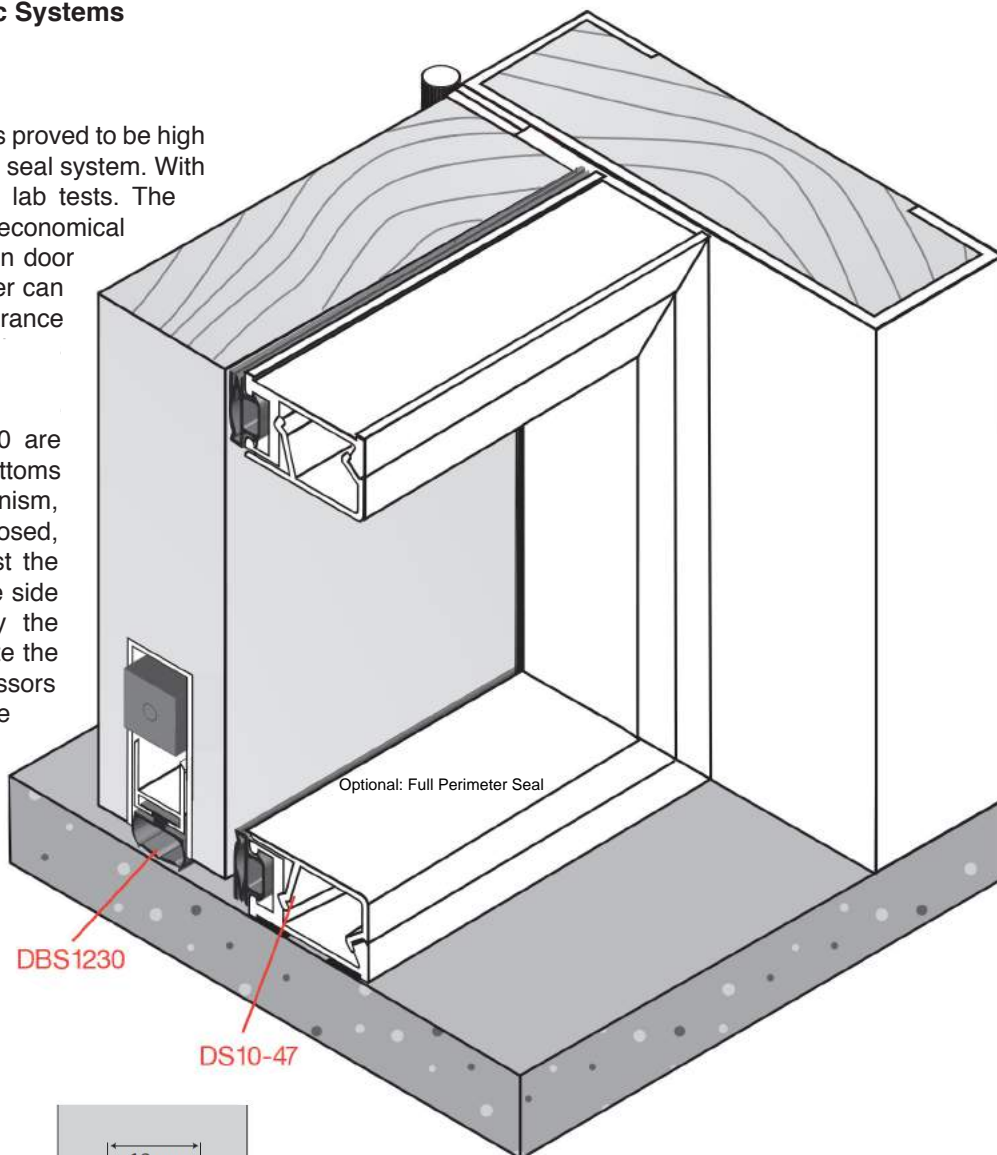




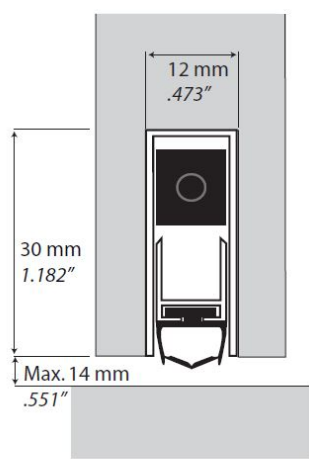
## DSA Class 37 STC-Rw Acoustic Systems Component.

The **DS10-47** head and jamb seal is proved to be high performance. It is our most popular seal system. With rebated doors we can overpower lab tests. The DS44 is a high performance and economical door seal which can be installed on door stops of sufficient depth. The corner can be mitred or butt joined. 10mm clearance is recommended.

The DRS 1530 and DBS 1230 are fully mortised automatic door bottoms which utilise a flat spring mechanism, which activates when the door is closed, lowering a TPE seal insert against the floor or threshold. Protruding hinge side plunger which is compressed by the frame as the door closes to activate the spring. The seal then drops in a scissors like motion from the hinge side. Use a 3mm hex spanner to adjusting to the floor from a pivoting point. This motion ensures a smooth drop without drag for a tight seal, even on an uneven floor.



**DRS1530**



**DBS1230**

Approvals: Fire: AS1530.4 Smoke: AS1530.7/BCA C3.4 Acoustic: AS1191/ISO140.3/ISO10140.2