

## Australian Standard Compliance & Acoustic Data

### DSA Class 34 STC- Rw Acoustic Systems Component

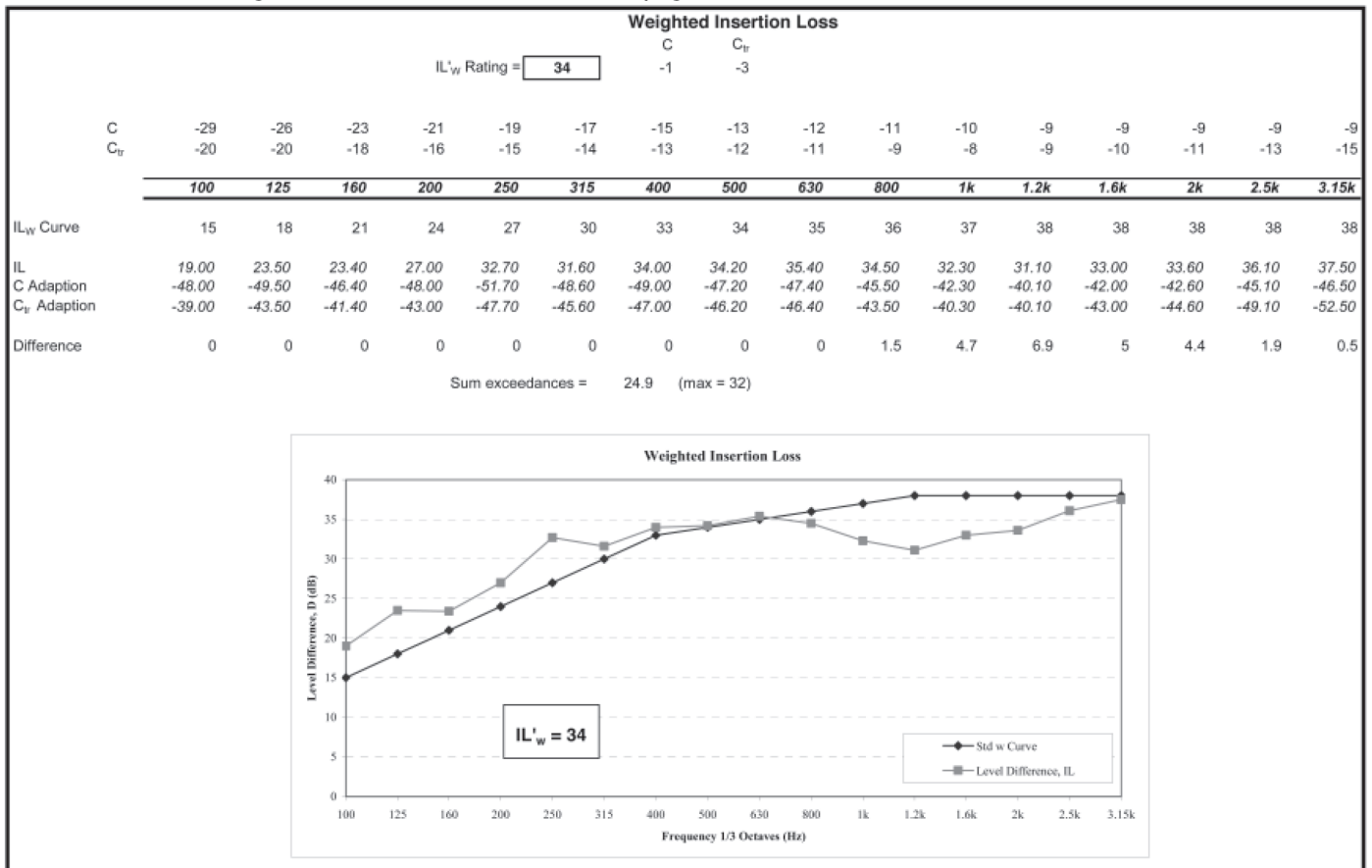
- **DS150** wing seal
- **DBS1230** automatic door bottom seal

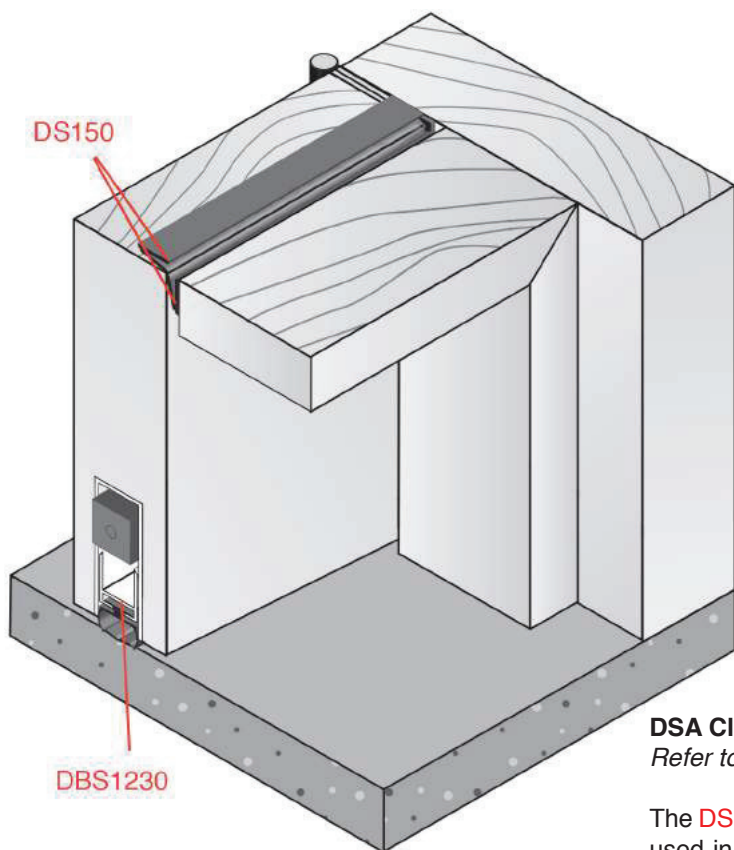
- Seal material, TPE thermoplastic (black or white)

All the above seals systems have been tested in accordance with:

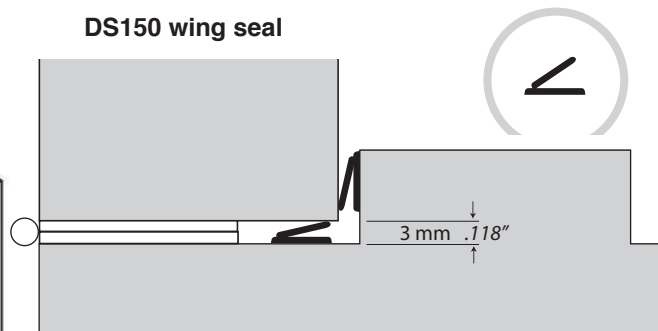
#BCA F & BCA 2.2.2, #BCA. J2.4, #AS. 4420. 4.&.5, #BCA. 2.6.1, #AS. 2047. AS. 12. 88, #AS. 1939, #IEC (529), #AS. 1530.7 and FSE 004, #BCA. F. 5, #BCA. P. 2. 4.6, #AS. 1191, #(ISO 140. 3), #AS. 1276, #AS. 2253 #ADM 0298. 01 #BCA. D. 3, 8. C. 2. 5, #BCA – C.3.4. C. 3.6. D.2 6, #BCA P2.3.4, #BCA. A.2.3 A2.4.C. 3.5, #AS 1503. 4, #AS./NZ. 1905. 1, #AS.1530.7, #AS 1735. 11, #BCA. G. 4. 5, #BCA. D.P.2, #BCA. D.3, #AS1428, #AS. 1735. 12.

Door Type	Solid Core	
	40mm	40mm
	<b>STC</b>	<b>Rw</b>
No Seals	20	21
Fully Caulked	33	34
<b>Single Door Acoustic Systems</b>	<b>33</b>	<b>34</b>





DS150 wing seal



**DSA Class 34 STC-Rw Acoustic Systems Component.**  
*Refer to previous page*

The **DS150** head and jamb seal is a new seal system which is widely used in apartments and townhouses. Proved to be an economical performance door seal system. The DRS1530 and DBS1230 are fully mechanical automatic door bottoms which utilise a flat spring mechanism, which activates when the door is closed, lowering a TPE seal insert against the floor or threshold, protruding, hinge-side plungers is compressed by the frame as the door closes to activate the spring. The seal then drops in a scissors like motion from the hinge side. Use 3mm hex spanner to adjusting to the floor from a pivoting point. This motion ensures a smooth drop without drag for a tight seal, even on an uneven floor.

Approvals

Fire:  
AS1530.4

Smoke:  
AS1530.7/BCA C3.4

Acoustic:  
AS1191/ISO140.3/ISO10140.2