

## Australia Standard Compliance & Acoustic Data

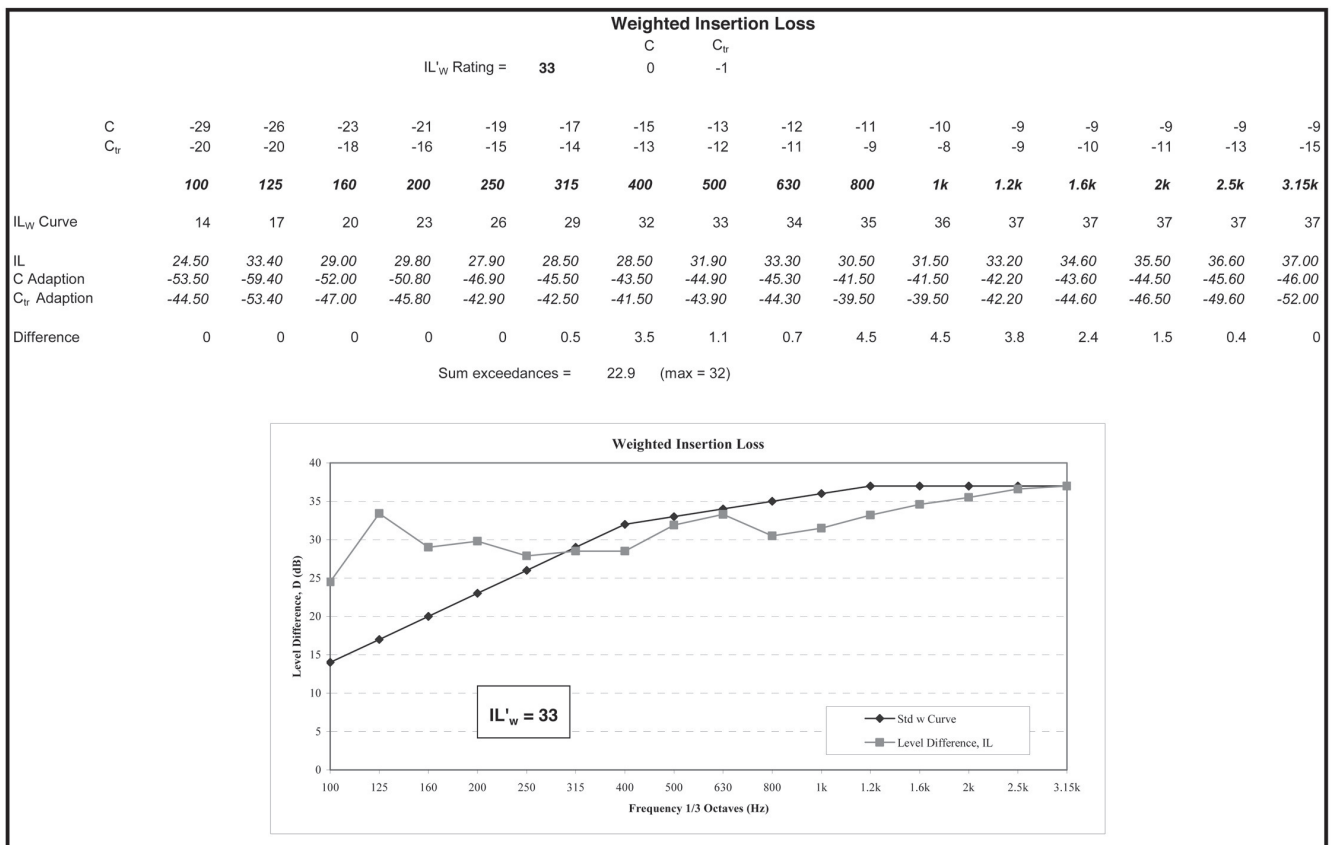
### DSA Class 33 STC- Rw Acoustic Systems component (Sliding Doors)

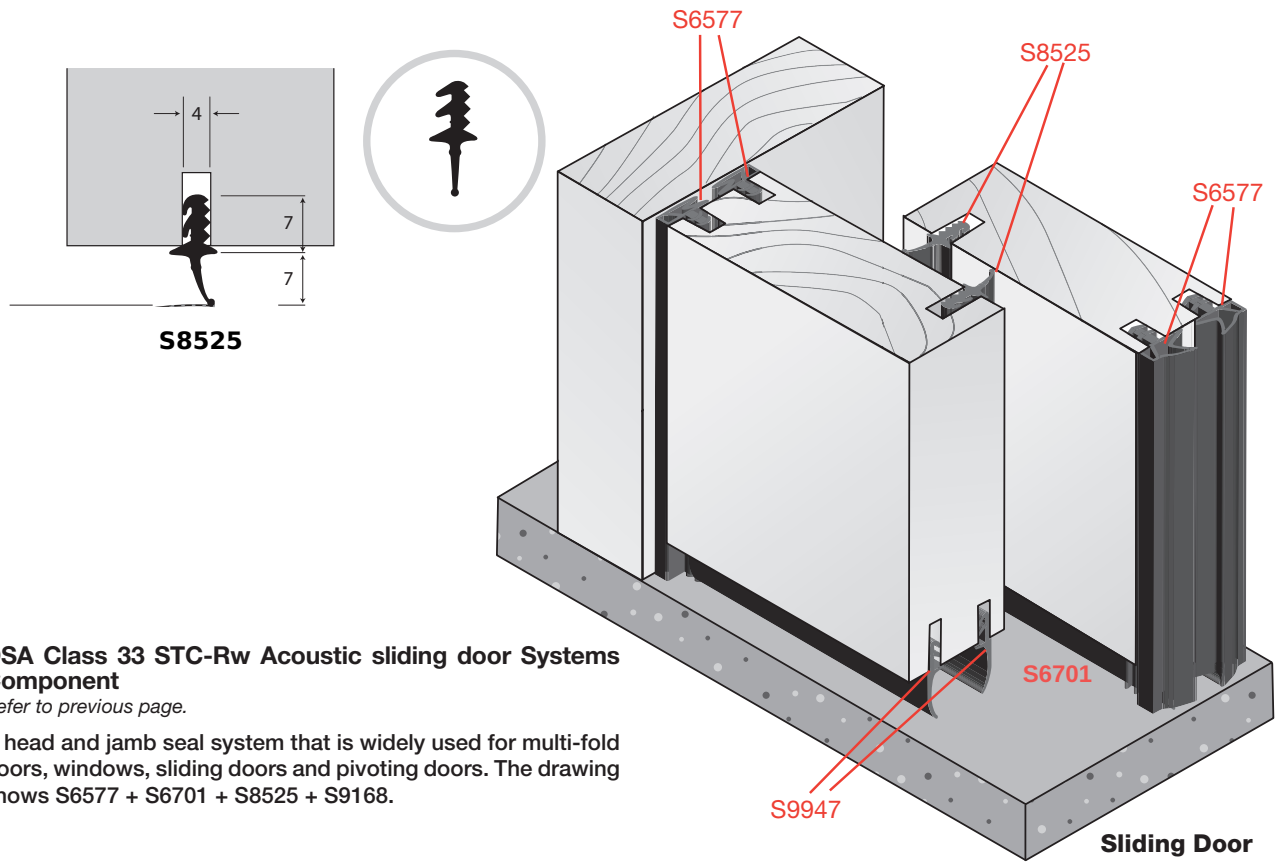
- S6701 finn seal
  - S6577 seal
  - S8525 finn seal (optional)
  - Standard architectural solid core door
  - S9947 finn seal (optional)
- Seal material TPE Thermoplastic black (S6577 available black & white)

All the above seals systems have been tested in accordance with:

#BCA F & BCA 2.2.2, #BCA. J2.4, #AS. 4420. 4.&5, #BCA. 2.6.1, #AS. 2047. AS. 12. 88, #AS. 1939, #IEC (529), #AS. 1530.7 and FSE 004, #BCA. F. 5, #BCA. P. 2. 4.6, #AS. 1191, #(ISO 140. 3), #AS. 1276, #AS. 2253 #ADM- 0298. 01 #BCA. D. 3, 8. C. 2. 5, #BCA – C.3.4. C. 3.6. D.2 6, #BCA P2.3.4, #BCA. A.2.3 A2.4.C. 3.5, #AS 1503. 4, #AS./NZ. 1905. I, #AS.1530.7, #AS 1735. 11, #BCA. G. 4. 5, #BCA. D.P.2, #BCA. D.3, #AS1428, #AS. 1735. 12.

Door Type	Solid Core-	35mm	35mm	40mm	40mm
	STC	Rw	STC	Rw	
No Seals	20	20	20	21	
Fully Caulked	32	31	33	33	
<b>Single Door Acoustic Systems</b>	<b>29</b>	<b>29</b>	<b>33</b>	<b>33</b>	





**DSA Class 33 STC-Rw Acoustic sliding door Systems Component**

*Refer to previous page.*

A head and jamb seal system that is widely used for multi-fold doors, windows, sliding doors and pivoting doors. The drawing shows S6577 + S6701 + S8525 + S9168.

Approvals Fire: AS1530.4 Smoke: AS1530.7/BCA C3.4 Acoustic: AS1191/ISO140.3/ISO10140.2