

DS10-47

Perimeter Seal



Description

A popular perimeter seal designed to suit the majority of door frames and sealing situations.

The TPE-V gasket seal is remarkably effective in sealing against all elements.

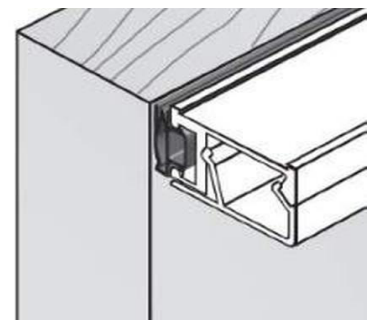
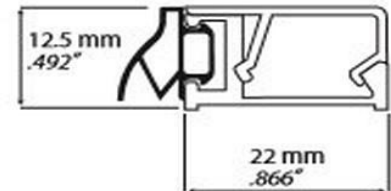
Features

The unique DSA TPE-V wedge shaped gasket requires less energy to open and close due to its elastomeric properties. The carrier has a projection of just 12.5mm and a width of 22mm.

The DSA fitting system ensures a perfect installation as the seal is positioned and adjusted for optimum performance. The carrier is 100% aluminium with a curved edge and smooth surface profile to compliment any door frame.

Fitting Location

This perimeter seal is usually fitted to the head and jambs of a door frame. It can also be fitted as a door stop on non-rebated frames or across a door bottom to form a bulkhead seal.



Standard Door Set Packs Available

Single Door Set	SDS	1 x 1m, 2 x 2.1m
Long Single Door Set	LSDS	1 x 1m, 2 x 2.4m
Extra Long Single Door Set	XLSDS	1 x 1m, 2 x 2.75m
Double Door Set	DDS	1 x 2.1m, 2 x 2.1m
Long Double Door Set	LDDS	1 x 2.1m, 2 x 2.4m
Extra Long Double Door Set	XLDDS	1 x 2.1m, 2 x 2.75m

DSA Product Code

DS10-47-SDS
DS10-47-LSDS
DS10-47-XLSDS
DS10-47-DDS
DS10-47-LDDS
DS10-47-XLDDS

Material and Finish

Black TPE-V gasket with clear anodised aluminium carrier and cover.

Fixing

Installed using the supplied DSA precise fitting system and screw pack.

Approvals

Fire: AS1530.4

Smoke: AS1530.7 and BCA 3.4

Acoustic: AS1191 and ISO140.3 Tested up to 37Rw.

These Products Can Work With The DS10-47 Perimeter Seal

Automatic Door Bottom Seals - DBS1230 and DRS1530

Secondary Perimeter Seal - DS44

