

# GLASS LIP SLIDE Perimeter Seal



## Description

GLASS LIP SLIDE is an adhesive perimeter seal for sliding glass doors.

## Features

It consists of a soft transparent seal with a single lip, which is quickly installed with a high strength 3M transparent self-adhesive. The seal lip can be shortened by simply tearing off part of the lip, to meet gaps from 12 to 30mm.

## Fitting Location

It is suitable for fitting to doors that are sliding or fixed glass panels alongside.

## Gap Size

It is suitable to seal gaps from 12mm to 30mm.

## Material and Finish

Transparent G2 coextruded thermoplastic with 3M Very High Bond adhesive tape.

## Fixing

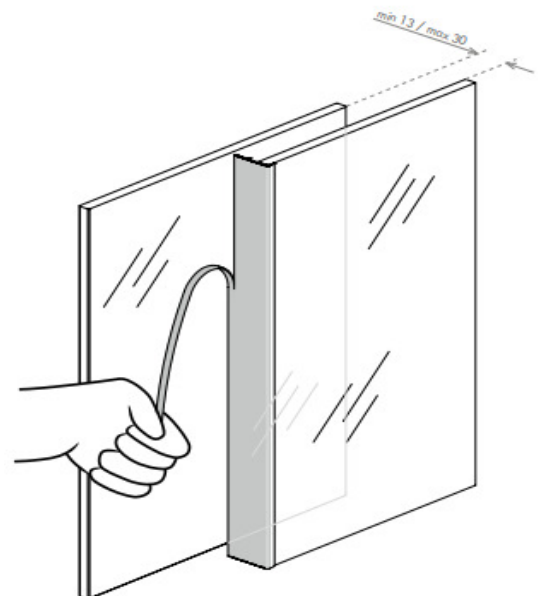
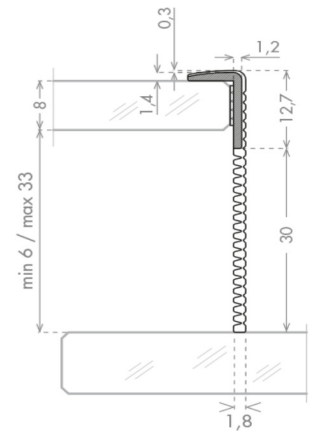
Installation surfaces must be pre-cleaned with GLASS WIPE or similar.

## Approvals

Fire: AS1530.4

Smoke: AS1530.7/BCA C3.4

Acoustic: AS1191/ISO140.3/ISO10140.2



## Available As

3M length

Glass Wipe

Seal only

To wipe clean glass prior to installation

## DSA Product Code

GLASS LIP SLIDE

GLASS WIPE