

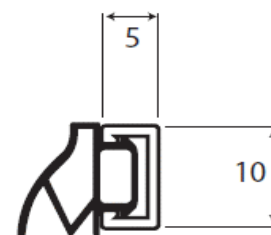
# DS44

## Perimeter Seal



### Description

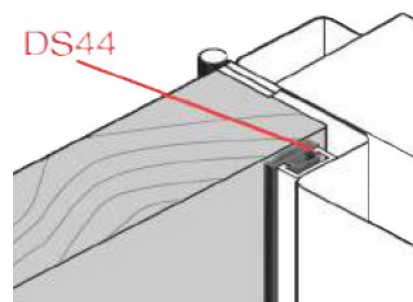
This is a unique perimeter seal designed to be installed onto, or within, the edge of a rebated frame stop.



### Features

The unique DSA wedge shaped gasket requires minimal energy to compress due to its elastomeric properties. The carrier has a projection of just 5mm and a width of 10mm.

The DSA fitting system ensures a perfect installation as the seal is positioned and adjusted for optimum performance. The carrier is 100% aluminium with a curved edge and smooth surface profile to compliment any door frame.



### Fitting Location

This perimeter seal is usually fitted to the head and jambs of a door frame, on the edge of rebated frame stop.

### Material and Finish

Black TPE-V gasket within a clear anodised aluminium carrier.

### Fixing

Installed using the supplied DSA precise fitting system and screw pack.

### Approvals

Fire: AS1530.4

Smoke: AS1530.7/BCA C3.4

Acoustic: AS1191/ISO140.3/ISO10140.2

### Standard Door Set Packs Available

Single Door Set	SDS	1 x 1m, 2 x 2.1m
Long Single Door Set	LSDS	1 x 1m, 2 x 2.4m
Extra Long Single Door Set	XLSDS	1 x 1m, 2 x 2.75m
Double Door Set	DDS	1 x 2.1m, 2 x 2.1m
Long Double Door Set	LDDS	1 x 2.1m, 2 x 2.4m
Extra Long Double Door Set	XLDDS	1 x 2.1m, 2 x 2.75m

### DSA Product Code

DS44-SDS
DS44-LSDS
DS44-XLSDS
DS44-DDS
DS44-LDDS
DS44-XLDDS

### These Products Can Work With The DS44 Perimeter Seal

Automatic Door Bottom Seals - DBS1230 and DRS1530

Perimeter Seal - DS10-47, DS20-24SB

