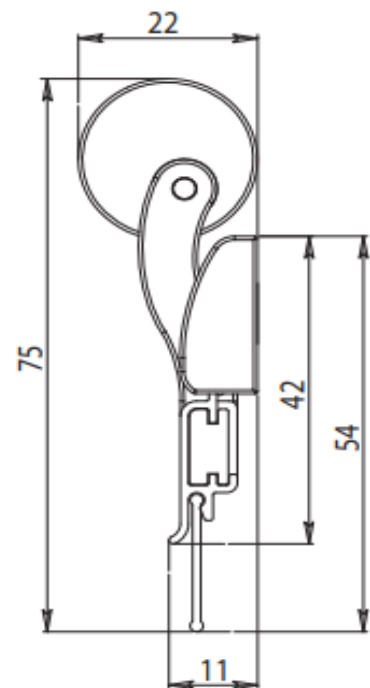


DS3



Description

DS3 is an automatic door bottom seal used to seal the floor to door gap of inward or outward opening hinged doors.



Features

The DS3 has a spring loaded control mechanism that will automatically engage the seal when the door is opened or closed. The twin strip seals provide protection against smoke, draughts, light, airborne dust, vermin, bushfire embers and energy loss.

Fitting Location

Fitted to the bottom face of a door, the roller can be mounted in different positions as required.

Material and Finish

The product is available in brown and also in a variety of finishes. Standard length is 930 or 1230mm which can be cut to size up to 200mm LH & RH.

Fixing

It is fully reversible and fitted with fixing screws supplied.

Available As

930mm Brown

1230mm Brown

Contact us for further details.

DSA Product Code

DS3-BRN-930

DS3-BRN-1230