

DBS1230 FDS

Automatic Door Bottom Seal



Description

This is a high performance and compact automatic door bottom seal, tested to provide 37dB acoustic attenuation.

Features

Securely fixed by screwing into door bottom
The overall profile has a height of 30mm and width of 12mm
Overall length can be cut down by up to 150mm.

Fitting Location

This perimeter seal is fitted to the bottom of a door.

Gap Size

14mm maximum.

Material and Finish

Black TPE-V gasket within a clear anodised aluminium carrier.

Fixing

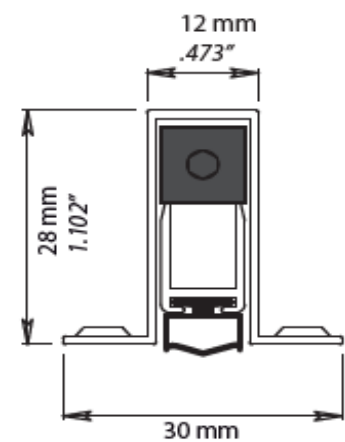
Installed using the supplied DSA fitting system and screw pack.

Approvals

Fire: AS1530.4

Smoke: AS1530.7/BCA C3.4

Acoustic: AS1191/ISO140.3/ISO10140.2



Lengths Available

959mm

DSA Product Code

DBS1230FDS-959

