

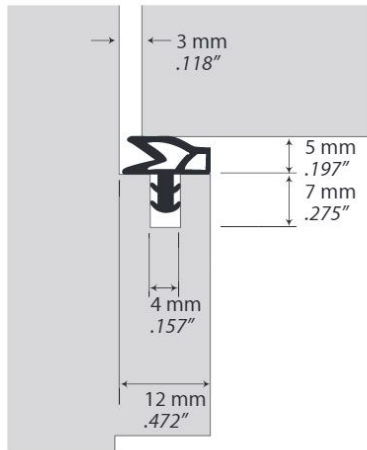
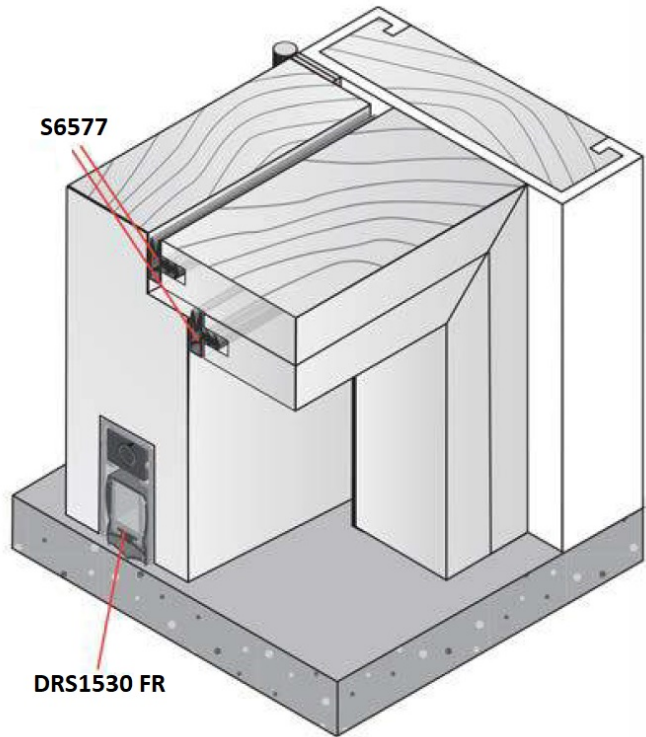


DSA Class 44 STC-Rw Acoustic Systems Component.

The S6577 dual seals on a timber frame fitted to head and jambs provides a very effective perimeter acoustic sealing solution. Combined with the DRS1530 FR automatic door bottom seal, this door system seal combination has been acoustically tested to achieve a rating of 44 STC/Rw.

The unique S6577 wedge shaped TPE-V perimeter seal requires less energy to open and close due to its flexible elastomeric properties. As the DSA wedge design works so effectively, they are on average 50% more compact overall than competitor's bulky alternatives. The full face of the S6577 gasket compresses against the closed door providing high acoustic attenuation as an airtight seal is created.

The DRS1530 is a very high performance and compact automatic door bottom seal tested to provide excellent acoustic attenuation.



Approvals

Fire tested to AS1530.4. Conforms to BCAC 3.4 and AS1530.7 for smoke doors. Acoustic rated to AS1191 & ISO140.3

